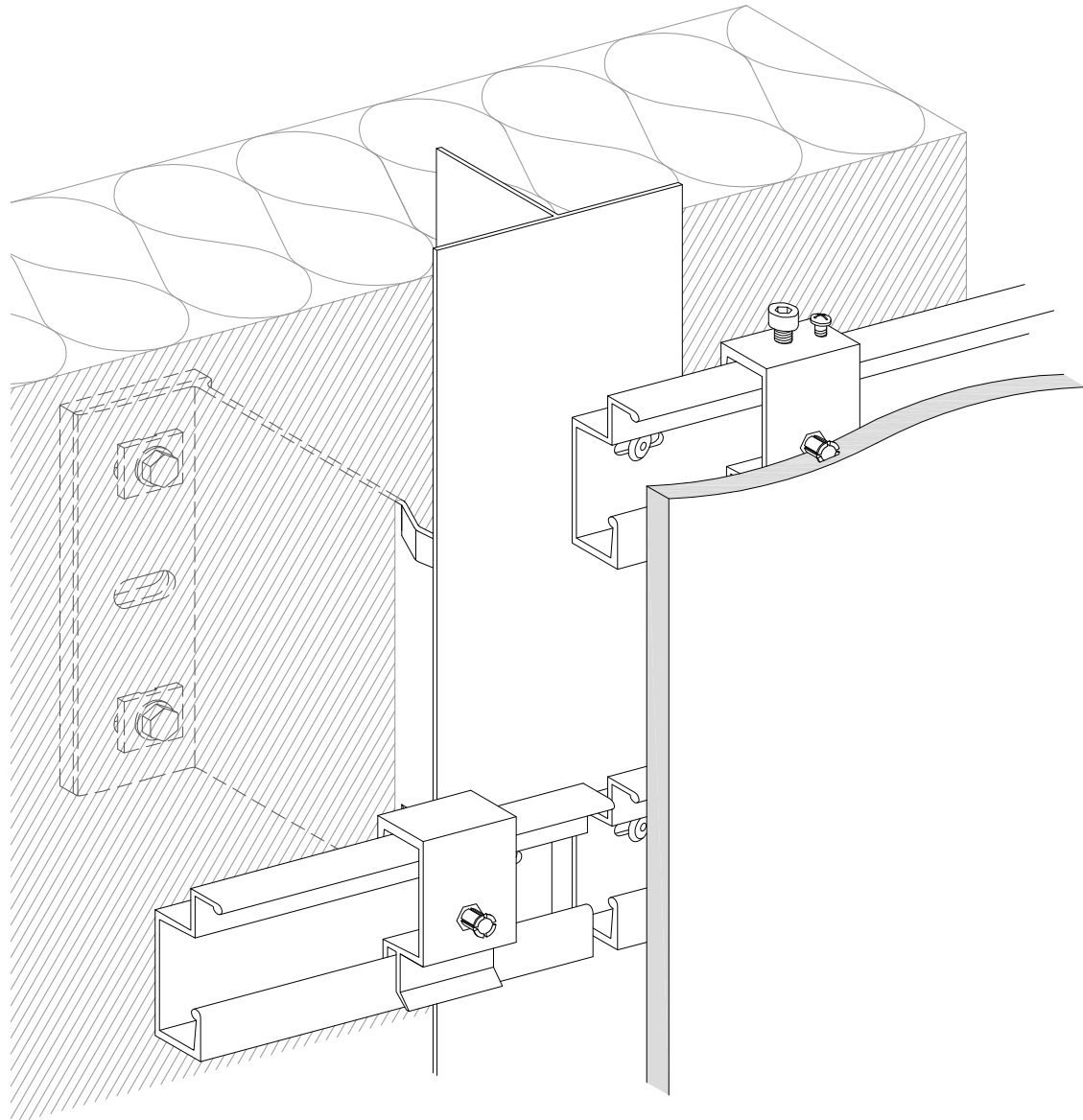


Plates with undercut fitting

System LT - 228

Ceramic granite, stoneware, natural stone,
glass, fibre cement, HPL

Product changes in the sense of a technical progress are reserved. All advice recommendation and information is given to the best of our knowledge but without any obligation on our part. 01/2012

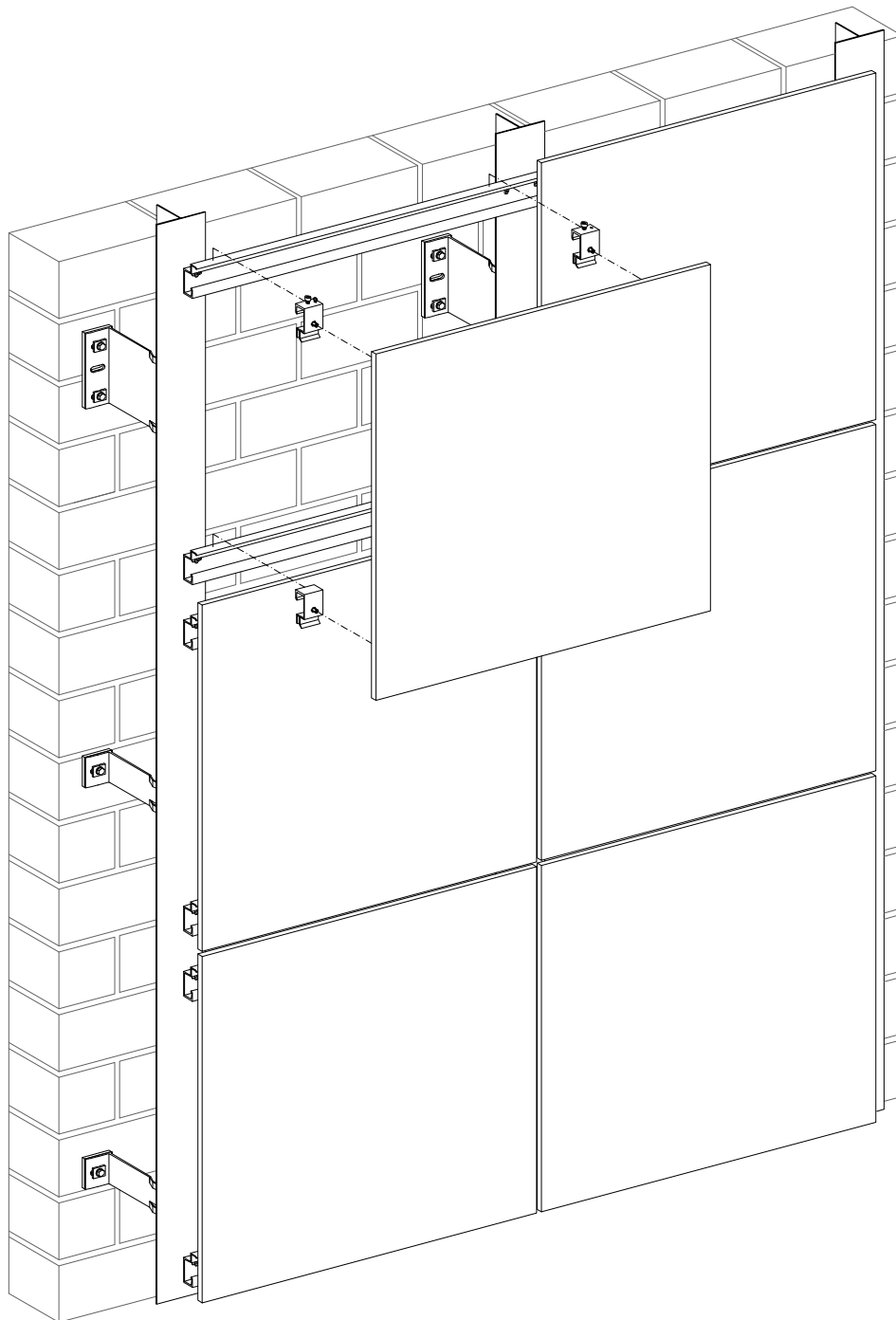


Plates with undercut fitting

Ceramic granite, stoneware, natural stone,
glass, fibre cement, HPL

System LT - 228

Installation Scheme

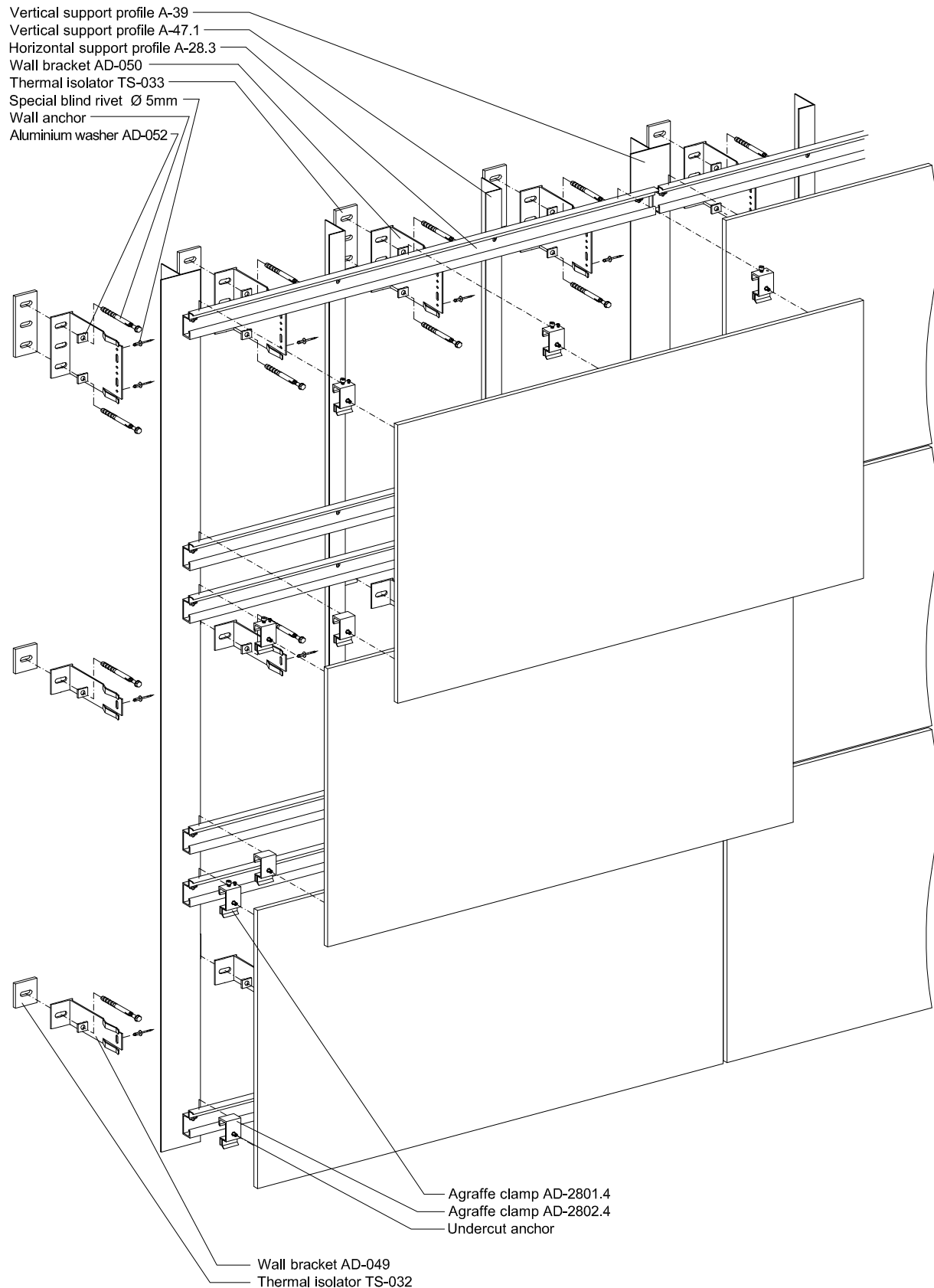


Plates with undercut fitting

System LT - 228

Ceramic granite, stoneware, natural stone,
glass, fibre cement, HPL

Assembly plan



Product changes in the sense of a technical progress are reserved. All advice recommendation and information is given to the best of our knowledge but without any obligation on our part. 01/2012