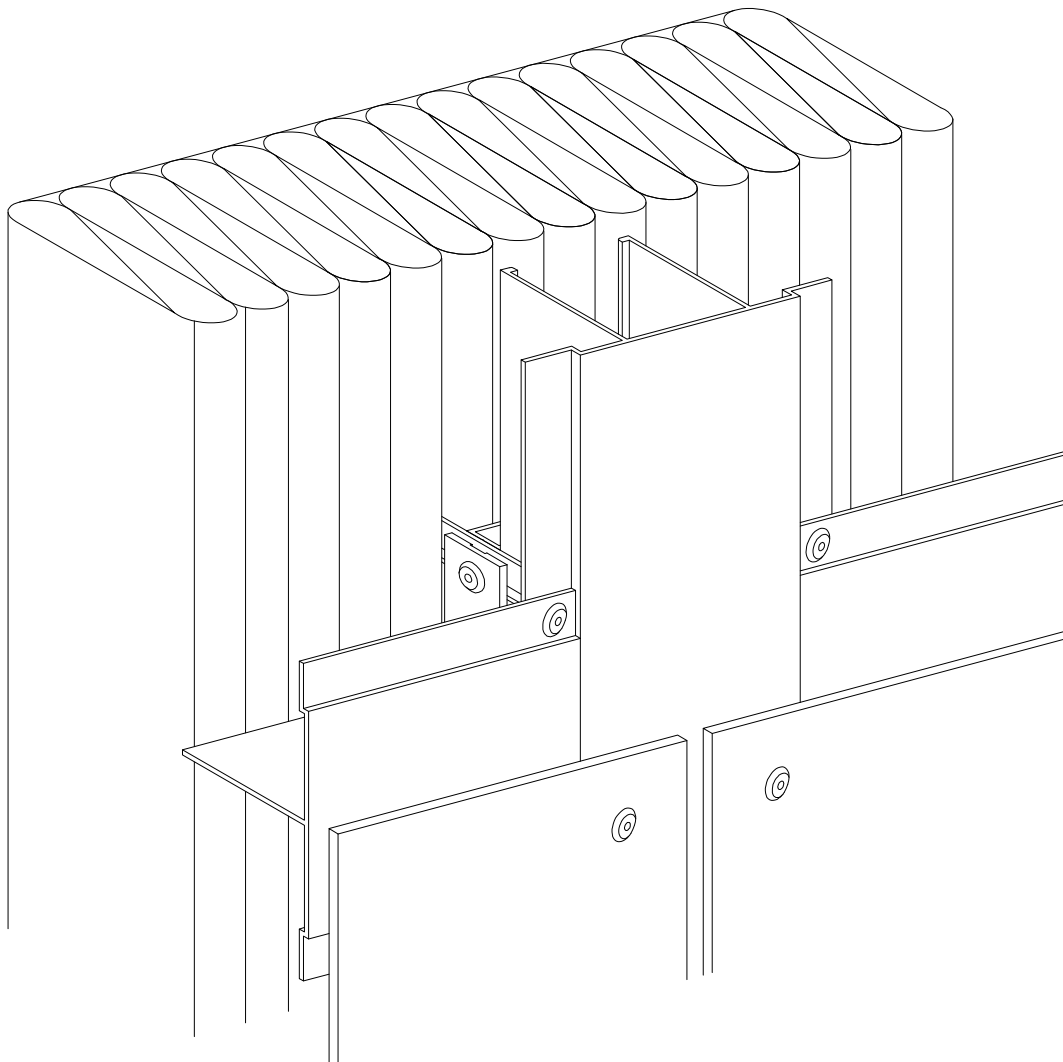


## Flat cladding plates, four-sided riveted

System ATS - 114

ACM (Aluminium composite material),  
Aluminium sheet, Fibre cement, HPL

Product changes in the sense of a technical progress are reserved. All advice recommendation and information is given to the best of our knowledge but without any obligation on our part. 01/2010

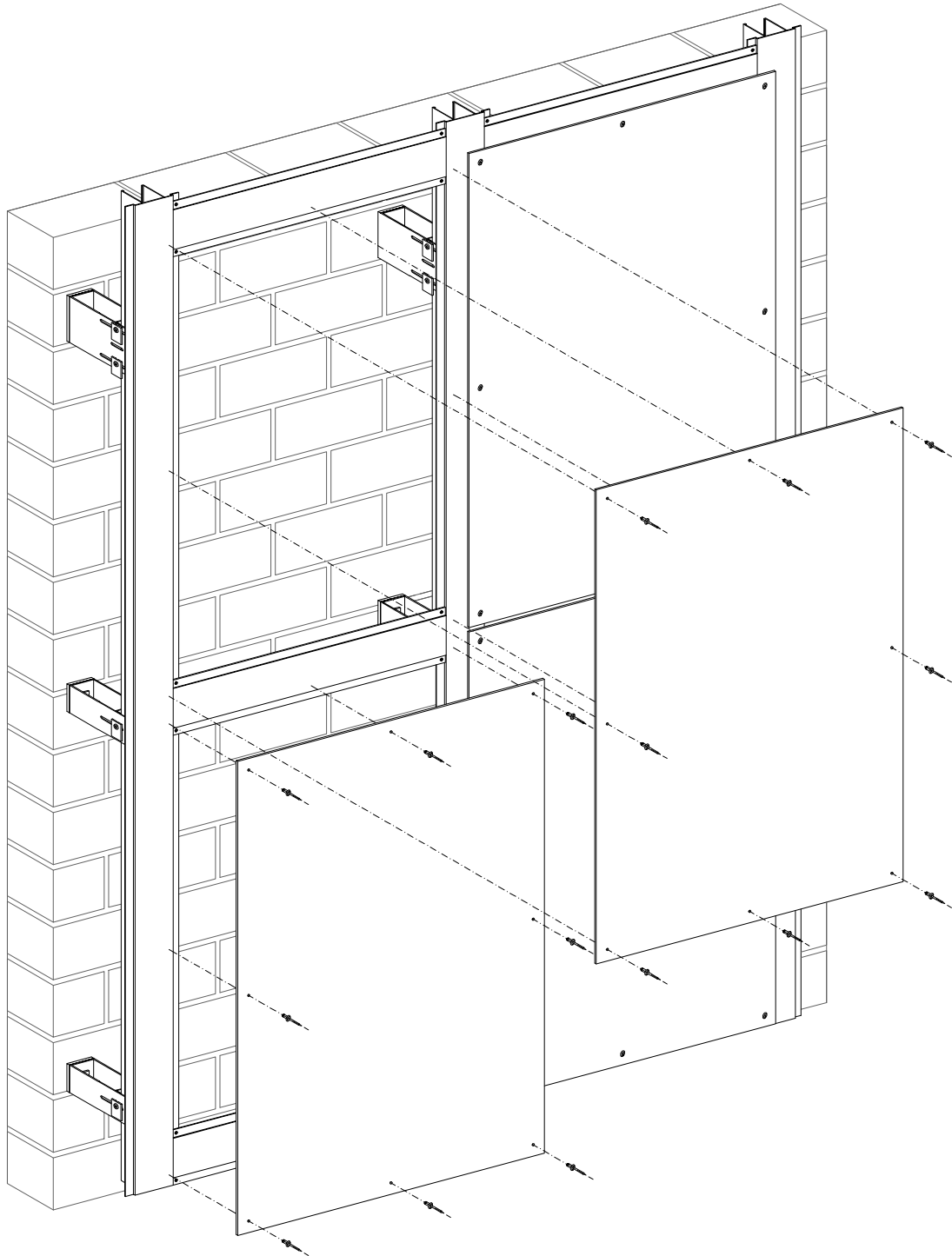


## Flat cladding plates, four-sided riveted

ACM (Aluminium composite material),  
Aluminium sheet, Fibre cement, HPL

## System ATS - 114

Installation Scheme



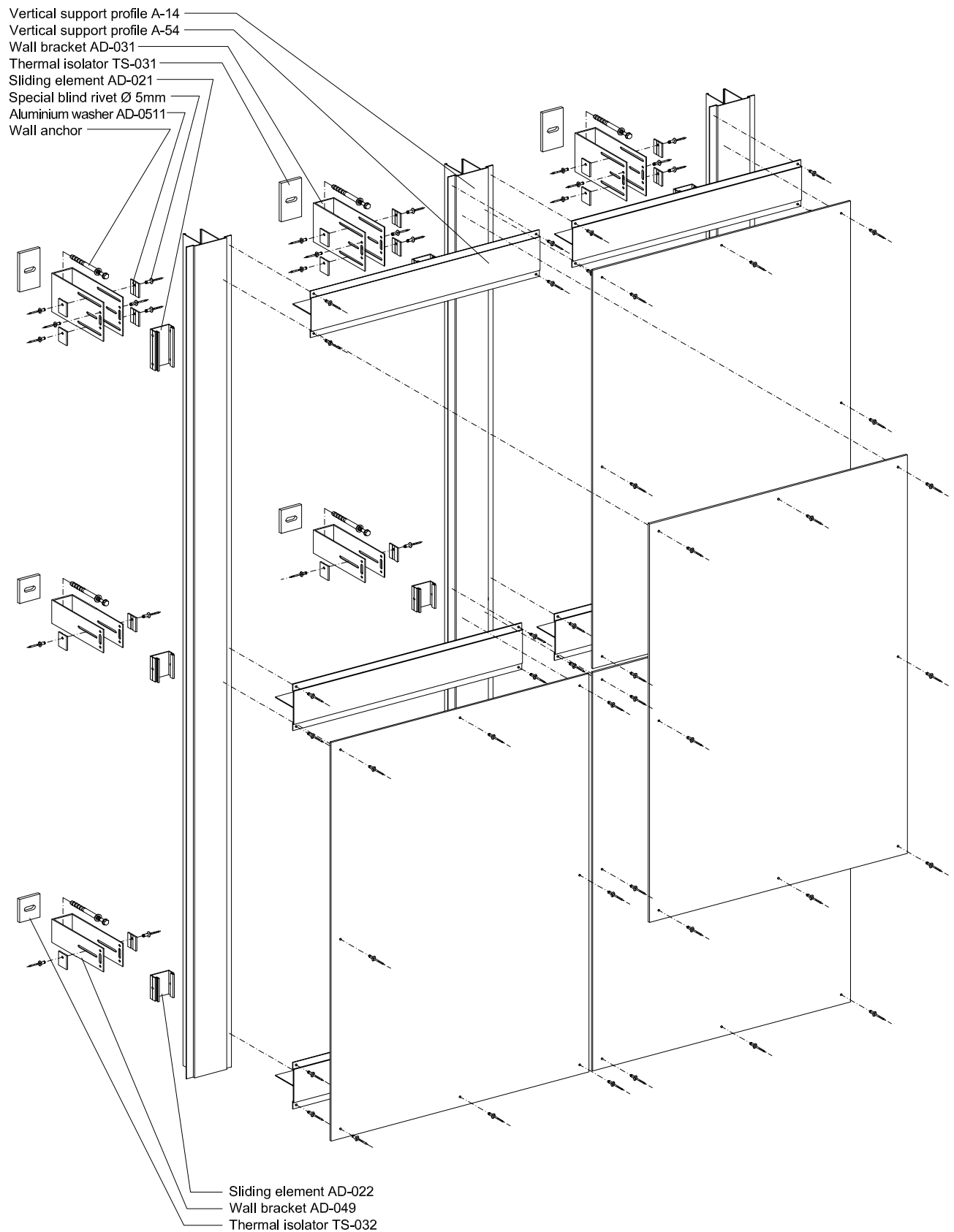
Product changes in the sense of a technical progress are reserved. All advice recommendation and information is given to the best of our knowledge but without any obligation on our part. 01/2010

# Flat cladding plates, four-sided riveted

ACM (Aluminium composite material),  
Aluminium sheet, Fibre cement, HPL

# System ATS - 114

Assembly plan



Product changes in the sense of a technical progress are reserved. All advice recommendation and information is given to the best of our knowledge but without any obligation on our part. 01/2010